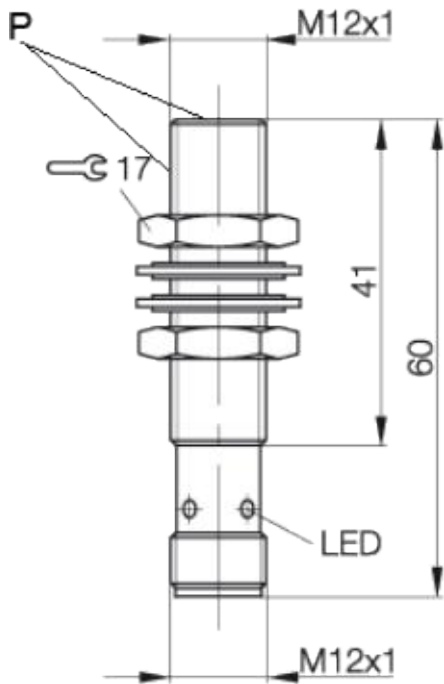


**Inductive Sensors**  
**BES M12EG1-NSC60Z-S04G-S11**  
**M12x1 x 60**  
**normally-open**  
**Sn=6mm**  
**quasi shielded**  
**Pressure resistance in "P" area 80bar**



PX2237

**Common Data**

Product name	Steelface
Mounting in steel	quasi shielded
Rated operating distance Sn	6mm
Assured operating distance Sa	0...4.8mm
Repeatability R	≤ 5%
Hysteresis	≤15%
Function indication	yes
Ambient temperature range	-25...+70°C
Polution Degree	3
Time delay before availability	≤ 60ms
Particular characteristics	Pressure resistance in "P" area 80bar

**Mechanical Data**

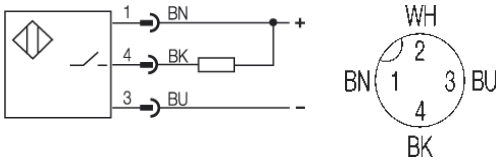
Measurements BxHxT or DxT	M12x1 x 60mm
Housing material	1.4305
Material of sensing face	1.4305
Degree of protection	IP67IP
Connection	Connector S4 (M12)
Schock: Halbsinus, 30 gn, 11ms	
Vibration: 55 Hz, 1mm Amplitude, 3 x 30 Minutes	

**Electrical Data**

Current type	DC
Wiring	3-Draht
switching function	normally-open
Output signal	NPN
Rated operational voltage	24 DCV
Rated operational current	200mA
Supply voltage	10...30 DCV
Ripple	≤15%
max. switching frequency	400Hz
No-load supply current	≤ 16/≤ 9mA
Off-state current	≤ 100µA
Voltage drop	≤ 2.0/-V
Short circuit protection	yes
Protected against polarity reversal	yes

**Remarks**

LED blinks in the range between 100% und approx. 70% from Sr  
 When mounting in metals, the switching distance may be reduced up to 50%.  
 Only mounting clamps without positive stop are permitted.  
 See installation notes 841020 !



Utilization categories  
 Insulation class

DC 13

Datasheet number:

Definitions see general catalog.  
 If not otherwise noted, ratings according to IEC 60947-5-2 (DIN EN60947-5-2)

Balluff GmbH  
 Schurwaldstrasse 9  
 73765 Neuhausen a.d.F.  
 Phone (07158) 173-0 Fax (07158) 5010

Datenblatt by CD-ROM - 04/2007

